

Cartex ANSI Dual seals



Operating range

Shaft diameter:
 $d_1 = 25 \dots 100 \text{ mm (1.000" ... 4.000")}$
 Other sizes on request
 Temperature:
 $t = -40 \text{ °C ... } 220 \text{ °C (-40 °F ... 428 °F)}$
 (Check O-Ring resistance)

Sliding face material combination BQ1
 Pressure: $p_1 = 25 \text{ bar (363 PSI)}$
 Sliding velocity: $v_g = 16 \text{ m/s (52 ft/s)}$

Sliding face material combination Q1Q1 or U2Q1
 Pressure: $p_1 = 20 \text{ bar (290 PSI)}$
 Sliding velocity: $v_g = 10 \text{ m/s (33 ft/s)}$

Barrier fluid circulation system:
 $p_{3\text{max}} = 25 \text{ bar (363 PSI)}$
 $\Delta p (p_3 - p_1)_{\text{ideal}} = 2 \dots 3 \text{ bar (29 ... 44 PSI)}$,
 7 bar (102 PSI) for barrier media with poor lubricating properties)

Pump startup:
 $\Delta p (p_3 - p_1)_{\text{max}} = 25 \text{ bar (363 PSI)}$ allowed

Recommended supply medium:
 max. ISO VG 5
 Axial movement:
 $\pm 1.0 \text{ mm, } d_1 \geq 75 \text{ mm } \pm 1.5 \text{ mm}$

Materials

Seal face: Silicon carbide (Q1), Carbon graphite resin impregnated (B), Tungsten carbide (U2)
 Seat: Silicon carbide (Q1)
 Secondary seals: FKM (V), EPDM (E), FFKM (K), Perfluorocarbon rubber/PTFE (U1)
 Springs: Hastelloy® C-4 (M)
 Metal parts: CrNiMo steel (G), CrNiMo cast steel (G)

Standards and approvals

- ANSI

Recommended applications

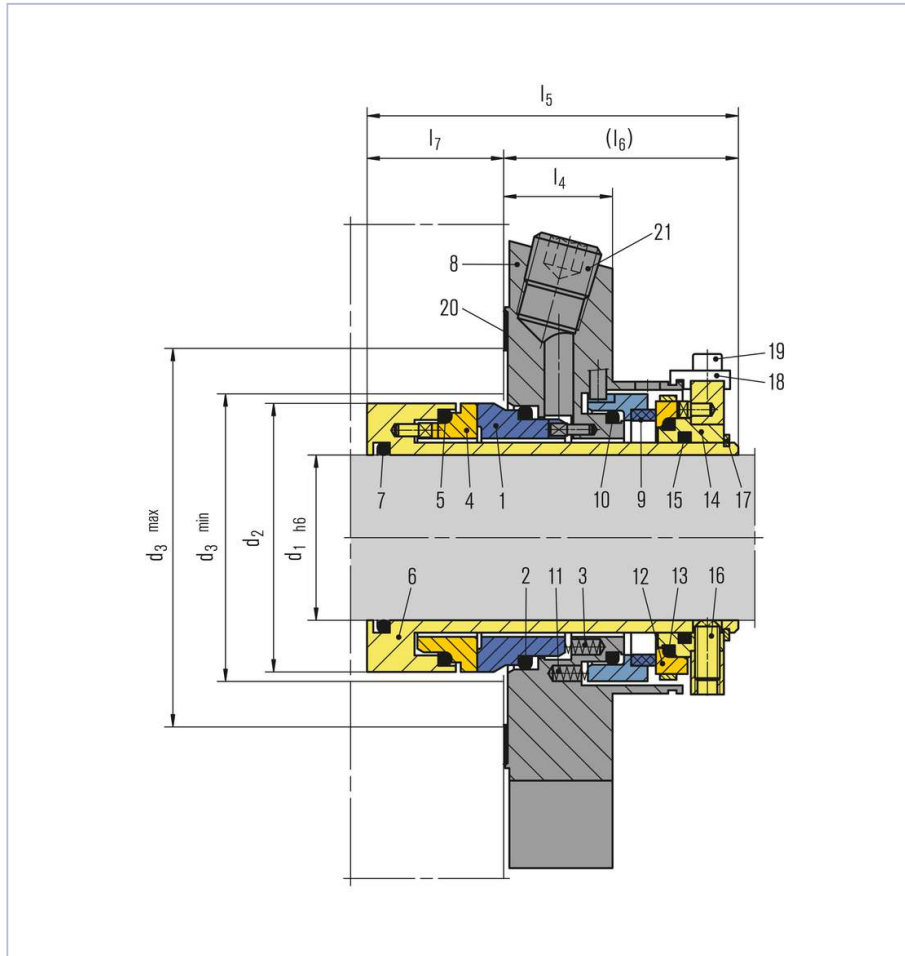
- Process industry
- Petrochemical industry
- Chemical industry
- Pharmaceutical industry
- Power plant technology
- Pulp and paper industry
- Water and waste water technology
- Mining industry
- Food and beverage industry
- Universally applicable
- ANSI process pumps

Features

- Dual seal
- Available for standard (Cartex-ASDN) and big bore (Cartex-ABDN) seal chambers
- Cartridge
- Balanced
- Independent of direction of rotation
- Double pressure balanced
- Integrated pumping device

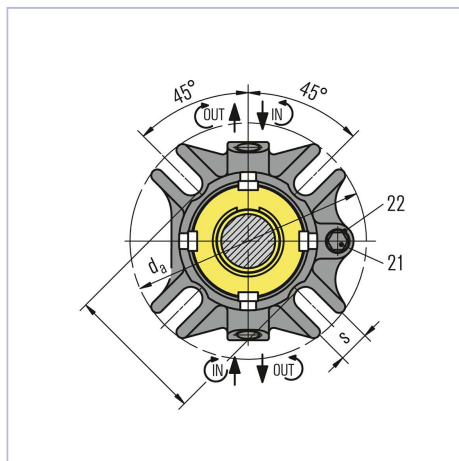
Advantages

- Ideal for use in ANSI process pumps
- Universal applicable for packings conversions, retrofits or OEM
- Ideal seal for standardizations
- No dimensional modification of the seal chamber necessary, small radial installation height
- No damage of the shaft by dynamically loaded O-Ring
- Extended service life
- No damage caused by dirt entered during assembly
- Straightforward and easy installation due to pre-assembled unit

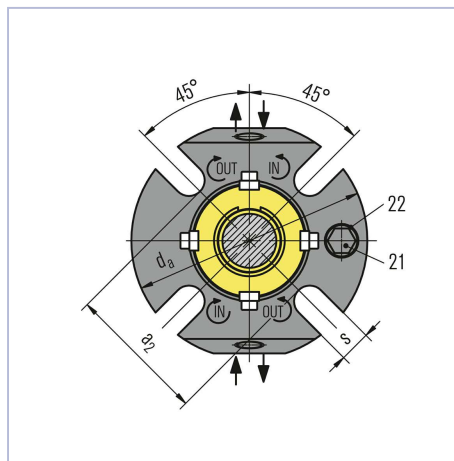


Item	Description
1	Seal face
2, 5, 7, 10, 13, 15	O-Ring
3	Spring
4	Seat
6	Shaft sleeve
8	Cover
9	Seal face
11	Spring
12	Seat
14	Drive collar
16	Set screw
17	Snap ring
18	Assembly fixture
19	Hex socket head screw
20	Gasket
21	Screw plug
22	Gasket

Installation, details, options



Seal cover
Cast version



Seal cover
Machined version

Dimensions

d ₁	d ₂	d _{3 min}	d _{3 max}	l ₄	l ₅	l ₆	l ₇	a ₂	d _a	s	Connection
1.000	1.693	1.732	2.205	1.000	3.406	2.102	1.303	2.441	3.937	0.433	1/4 NPT
1.125	1.713	1.752	2.205	1.000	3.228	3.228	1.343	2.441	4.134	0.437	1/4 NPT
1.250	1.969	2.008	2.402	1.000	3.406	2.102	1.303	2.756	4.252	0.433	1/4 NPT
1.375	1.961	2.000	2.402	1.000	3.406	2.083	1.303	2.756	4.213	0.437	1/4 NPT
1.500	2.200	2.244	2.717	1.000	3.406	2.102	1.303	2.953	4.488	0.551	3/8 NPT
1.625	2.340	2.421	2.795	1.000	3.406	2.102	1.303	3.091	4.921	0.551	3/8 NPT
1.750	2.461	2.500	2.953	1.000	3.406	2.102	1.303	3.228	5.118	0.559	3/8 NPT
1.875	2.583	2.661	3.070	1.000	3.406	2.102	1.303	3.307	5.118	0.551	3/8 NPT
2.000	2.677	2.756	3.189	1.000	3.406	2.102	1.303	3.425	5.472	0.630	3/8 NPT
2.125	2.834	2.913	3.583	1.000	3.406	2.102	1.303	3.819	5.512	0.650	3/8 NPT
2.250	2.960	3.039	3.583	1.000	3.406	2.102	1.303	3.858	5.866	0.650	3/8 NPT
2.375	3.070	3.125	3.590	1.000	-	-	-	-	6.181	0.709	3/8 NPT
2.500	3.212	3.291	3.937	1.122	3.406	2.102	1.303	4.528	6.693	0.709	3/8 NPT
2.625	3.338	3.417	4.016	1.250	3.406	2.102	1.303	4.528	6.378	0.630	3/8 NPT
2.750	3.660	3.740	4.370	1.260	3.406	2.102	1.303	4.646	7.441	0.709	3/8 NPT
3.000	3.937	4.016	4.724	1.260	4.252	2.516	1.736	5.000	7.835	0.709	3/8 NPT
3.250	4.189	4.268	4.921	1.260	4.252	2.516	1.736	5.315	7.830	0.709	3/8 NPT
3.750	4.689	4.750	5.433	1.000	-	-	-	-	8.189	0.866	3/8 NPT

STANDARD BORE - Dimensions in inch

Dimensions

d ₁	d ₂	d _{3 min}	d _{3 max}	l ₄	l ₅	l ₆	l ₇	a ₂	d _a	s	Connection
1.000	-	-	-	-	-	-	-	-	-	-	-
1125	1713	1752	2795	1000	3228	1886	1343	3311	4500	0.437	1/4 NPT
1250	-	-	-	-	-	-	-	-	-	-	-
1375	1960	2000	3189	1000	3406	2083	1323	3543	5118	0.437	1/4 NPT
1.500	-	-	-	-	-	-	-	-	-	-	-
1.625	-	-	-	-	-	-	-	-	-	-	-
1.750	2.461	2.500	4.055	1.000	3.406	2.083	1.323	4.567	6.496	0.559	3/8 NPT
1.875	2.583	2.661	3.937	1.000	3.406	2.083	1.323	4.409	5.984	0.551	3/8 NPT
2.000	2.677	2.756	4.567	1.260	3.406	2.102	1.303	4.882	6.260	0.551	3/8 NPT
2.125	2.834	2.913	4.528	1.000	3.406	2.102	1.303	5.276	6.890	0.709	3/8 NPT
2.250	2.960	3.093	4.409	1.276	3.406	2.102	1.303	4.685	6.417	0.709	3/8 NPT
2.500	3.212	3.299	5.276	1.250	3.406	2.102	1.303	5.512	7.795	0.709	3/8 NPT
2.625	3.338	3.417	5.118	1.250	3.406	2.102	1.303	5.354	6.890	0.709	3/8 NPT
2.750	3.660	3.740	5.236	1.276	3.406	2.102	1.303	5.512	7.480	0.630	3/8 NPT
3.000	3.937	4.016	5.512	1.276	3.406	2.516	1.303	5.906	8.228	0.650	3/8 NPT
3.250	-	-	-	-	-	-	-	-	-	-	-

BIG BORE - Dimensions in inch